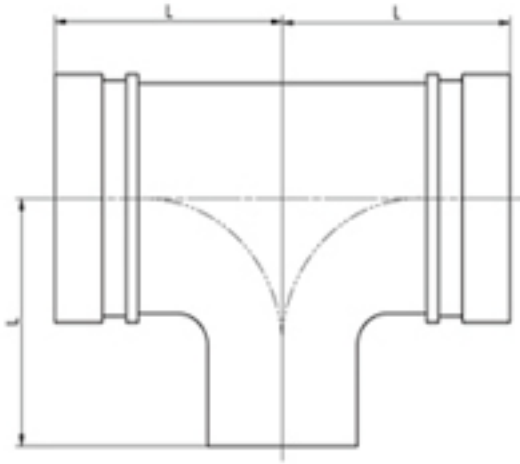


# XGQT13S

## Threaded Reducing Tee



Nominal Size mm/in	Pipe O.D mm/in	Working Pressure PSI/MPa	Dimension L mm/in
40 x 32 1½ x 1½	48.3 x 42.4 1.900 x 1.660	300 2.07	60 2.362
50 x 25 2 x 1	60.3 x 33.7 2.375 x 1.315	300 2.07	70 2.756
50 x 32 2 x 1¼	60.3 x 42.4 2.375 x 1.660	300 2.07	
50 x 40 2 x 1½	60.3 x 48.3 2.375 x 1.900	300 2.07	
65 x 25 2½ x 1	73.0 x 33.7 2.875 x 1.315	300 2.07	76 2.992
65 x 32 2½ x 1¼	73.0 x 42.4 2.875 x 1.660	300 2.07	
65 x 40 2½ x 1½	73.0 x 48.3 2.875 x 1.900	300 2.07	
65 x 50 2½ x 2	73.0 x 60.3 2.875 x 2.375	300 2.07	
65 x 25 3OD x 1	76.1 x 33.7 3.000 x 1.315	300 2.07	86 3.386
65 x 32 3OD x 1¼	76.1 x 42.4 3.000 x 1.660	300 2.07	
65 x 40 3OD x 1½	76.1 x 48.3 3.000 x 1.900	300 2.07	
65 x 50 3OD x 2	76.1 x 60.3 3.000 x 2.375	300 2.07	
80 x 25 3 x 1	88.9 x 33.7 3.500 x 1.315	300 2.07	
80 x 32 3 x 1¼	88.9 x 42.4 3.500 x 1.660	300 2.07	
80 x 40 3 x 1½	88.9 x 48.3 3.500 x 1.900	300 2.07	122 4.803
80 x 50 3 x 2	88.9 x 60.3 3.500 x 2.375	300 2.07	
80 x 65 3 x 2½	88.9 x 73.0 3.500 x 2.875	300 2.07	
80 x 65 3 x 3OD	88.9 x 76.1 3.500 x 3.000	300 2.07	

Nominal Size mm/in	Pipe O.D mm/in	Working Pressure PSI/MPa	Dimension L mm/in
100 x 25 4¼ OD x 1	108.0 x 33.7 4.250 x 1.315	300 2.07	102 4.016
100 x 32 4¼ OD x 1¼	108.0 x 42.4 4.250 x 1.660	300 2.07	
100 x 40 4¼ OD x 1½	108.0 x 48.3 4.250 x 1.900	300 2.07	
100 x 50 4¼ OD x 2	108.0 x 60.3 4.250 x 2.375	300 2.07	
100 x 65 4¼ OD x 2½	108.0 x 73.0 4.250 x 2.875	300 2.07	
100 x 65 4¼ OD x 3OD	108.0 x 76.1 4.250 x 3.000	300 2.07	
100 x 80 4 x 3	108.0 x 88.9 4.250 x 3.500	300 2.07	
100 x 25 4 x 1	114.3 x 33.7 4.500 x 1.315	300 2.07	
100 x 32 4 x 1¼	114.3 x 42.4 4.500 x 1.660	300 2.07	
100 x 40 4 x 1½	114.3 x 48.3 4.500 x 1.900	300 2.07	
100 x 50 4 x 2	114.3 x 60.3 4.500 x 2.375	300 2.07	122 4.803
100 x 65 4 x 2½	114.3 x 73.0 4.500 x 2.875	300 2.07	
100 x 65 4 x 3OD	114.3 x 76.1 4.500 x 3.000	300 2.07	
100 x 80 4 x 3	114.3 x 88.9 4.500 x 3.500	300 2.07	
125 x 25 5¼ OD x 1	133.0 x 33.7 5.250 x 1.315	300 2.07	122 4.803
125 x 32 5¼ OD x 1¼	133.0 x 42.4 5.250 x 1.660	300 2.07	
125 x 40 5¼ OD x 1½	133.0 x 48.3 5.250 x 1.900	300 2.07	
125 x 50 5¼ OD x 2	133.0 x 60.3 5.250 x 2.375	300 2.07	
125 x 50 5¼ OD x 2	133.0 x 60.3 5.250 x 2.375	300 2.07	

Nominal Size mm/in	Pipe O.D mm/in	Working Pressure PSI/MPa	Dimension L mm/in
125 x 65 5¼ OD x 2½	133 x 73.0 5.250 x 2.875	300 2.07	122 4.803
125 x 65 5¼ OD x 3OD	133 x 76.1 5.250 x 3.000	300 2.07	
125 x 80 5¼ OD x 3	133 x 88.9 5.250 x 3.500	300 2.07	
125 x 25 5¼ OD x 1	139.7 x 33.7 5.500 x 1.315	300 2.07	
125 x 32 5¼ OD x 1¼	139.7 x 42.4 5.500 x 1.660	300 2.07	
125 x 40 5¼ OD x 1½	139.7 x 48.3 5.500 x 1.900	300 2.07	
125 x 50 5¼ OD x 2	139.7 x 60.3 5.500 x 2.375	300 2.07	
125 x 65 5¼ OD x 2½	139.7 x 73.0 5.500 x 2.875	300 2.07	
125 x 65 5¼ OD x 3OD	139.7 x 76.1 5.500 x 3.000	300 2.07	
125 x 80 5¼ OD x 3	139.7 x 88.9 5.500 x 3.500	300 2.07	
125 x 100 5¼ OD x 4	139.7 x 114.3 5.500 x 4.500	300 2.07	140 5.512
125 x 25 5 x 1	141.3 x 33.7 5.563 x 1.315	300 2.07	
125 x 32 5 x 1¼	141.3 x 42.4 5.563 x 1.660	300 2.07	
125 x 40 5 x 1½	141.3 x 48.3 5.563 x 1.900	300 2.07	
125 x 50 5 x 2	141.3 x 60.3 5.563 x 2.375	300 2.07	
125 x 65 5 x 2½	141.3 x 73.0 5.563 x 2.875	300 2.07	
125 x 65 5 x 3OD	141.3 x 76.1 5.563 x 3.000	300 2.07	
150 x 80 6¼ OD x 3	159.0 x 88.9 6.250 x 3.500	300 2.07	
150 x 100 6¼ OD x 4	159.0 x 114.3 6.250 x 4.500	300 2.07	
150 x 25 6½ OD x 1	165.1 x 33.7 6.500 x 1.315	300 2.07	
150 x 32 6½ OD x 1¼	165.1 x 42.4 6.500 x 1.660	300 2.07	
150 x 40 6½ OD x 1½	165.1 x 48.3 6.500 x 1.900	300 2.07	
150 x 50 6½ OD x 2	165.1 x 60.3 6.500 x 2.375	300 2.07	
150 x 65 6½ OD x 2½	165.1 x 73.0 6.500 x 2.875	300 2.07	
150 x 65 6½ OD x 3OD	165.1 x 76.1 6.500 x 3.000	300 2.07	
150 x 80 6½ OD x 3	165.1 x 88.9 6.500 x 3.500	300 2.07	

Nominal Size mm/in	Pipe O.D mm/in	Working Pressure PSI/MPa	Dimension L mm/in
150 x 100 6½ OD x 4	165.1 x 114.3 6.500 x 4.500	300 2.07	140 5.512
150 x 25 6 x 1	168.3 x 33.7 6.625 x 1.315	300 2.07	
150 x 32 6 x 1¼	168.3 x 42.4 6.625 x 1.660	300 2.07	
150 x 40 6 x 1½	168.3 x 48.3 6.625 x 1.900	300 2.07	
150 x 50 6 x 2	168.3 x 60.3 6.625 x 2.375	300 2.07	
150 x 65 6 x 2½	168.3 x 73.0 6.625 x 2.875	300 2.07	
150 x 65 6 x 3OD	168.3 x 76.1 6.625 x 3.000	300 2.07	
150 x 80 6 x 3	168.3 x 88.9 6.625 x 3.500	300 2.07	
150 x 100 6 x 4	168.3 x 114.3 6.625 x 4.500	300 2.07	
200 x 25 8 x 1	219.1 x 33.7 8.625 x 1.315	300 2.07	
200 x 32 8 x 1¼	219.1 x 42.4 8.625 x 1.660	300 2.07	
200 x 40 8 x 1½	219.1 x 48.3 8.625 x 1.900	300 2.07	
200 x 50 8 x 2	219.1 x 60.3 8.625 x 2.375	300 2.07	
200 x 65 8 x 2½	219.1 x 73.0 8.625 x 2.875	300 2.07	
200 x 65 8 x 3OD	219.1 x 76.1 8.625 x 3.000	300 2.07	
200 x 80 8 x 3	219.1 x 88.9 8.625 x 3.500	300 2.07	
200 x 100 8 x 4	219.1 x 114.3 8.625 x 4.500	300 2.07	

Nominal Size mm/in	Pipe O.D mm/in	Working Pressure PSI/MPa	Dimension L mm/in
150 x 100 6½ OD x 4	165.1 x 114.3 6.500 x 4.500	300 2.07	140 5.512
150 x 25 6 x 1	168.3 x 33.7 6.625 x 1.315	300 2.07	
150 x 32 6 x 1¼	168.3 x 42.4 6.625 x 1.660	300 2.07	
150 x 40 6 x 1½	168.3 x 48.3 6.625 x 1.900	300 2.07	
150 x 50 6 x 2	168.3 x 60.3 6.625 x 2.375	300 2.07	
150 x 65 6 x 2½	168.3 x 73.0 6.625 x 2.875	300 2.07	
150 x 65 6 x 3OD	168.3 x 76.1 6.625 x 3.000	300 2.07	
150 x 80 6 x 3	168.3 x 88.9 6.625 x 3.500	300 2.07	
150 x 100 6 x 4	168.3 x 114.3 6.625 x 4.500	300 2.07	
200 x 25 8 x 1	219.1 x 33.7 8.625 x 1.315	300 2.07	
200 x 32 8 x 1¼	219.1 x 42.4 8.625 x 1.660	300 2.07	
200 x 40 8 x 1½	219.1 x 48.3 8.625 x 1.900	300 2.07	
200 x 50 8 x 2	219.1 x 60.3 8.625 x 2.375	300 2.07	
200 x 65 8 x 2½	219.1 x 73.0 8.625 x 2.875	300 2.07	
200 x 65 8 x 3OD	219.1 x 76.1 8.625 x 3.000	300 2.07	
200 x 80 8 x 3	219.1 x 88.9 8.625 x 3.500	300 2.07	
200 x 100 8 x 4	219.1 x 114.3 8.625 x 4.500	300 2.07	